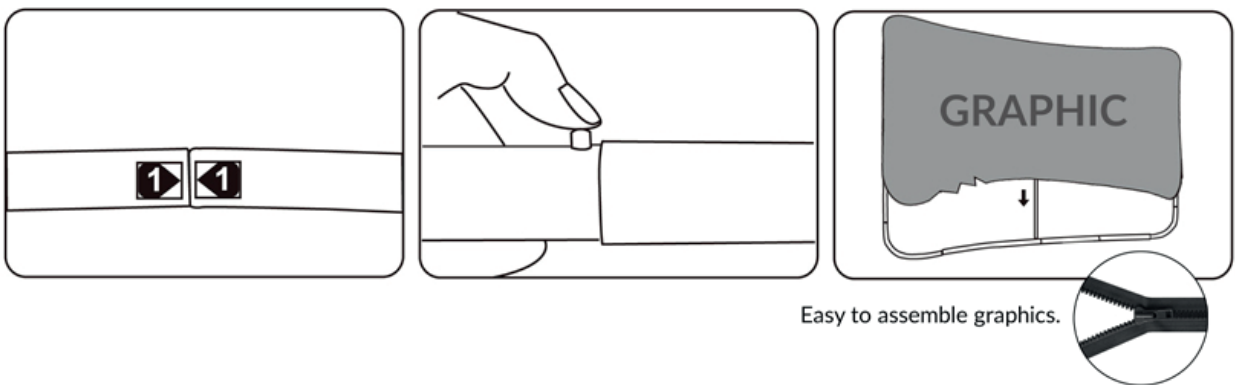
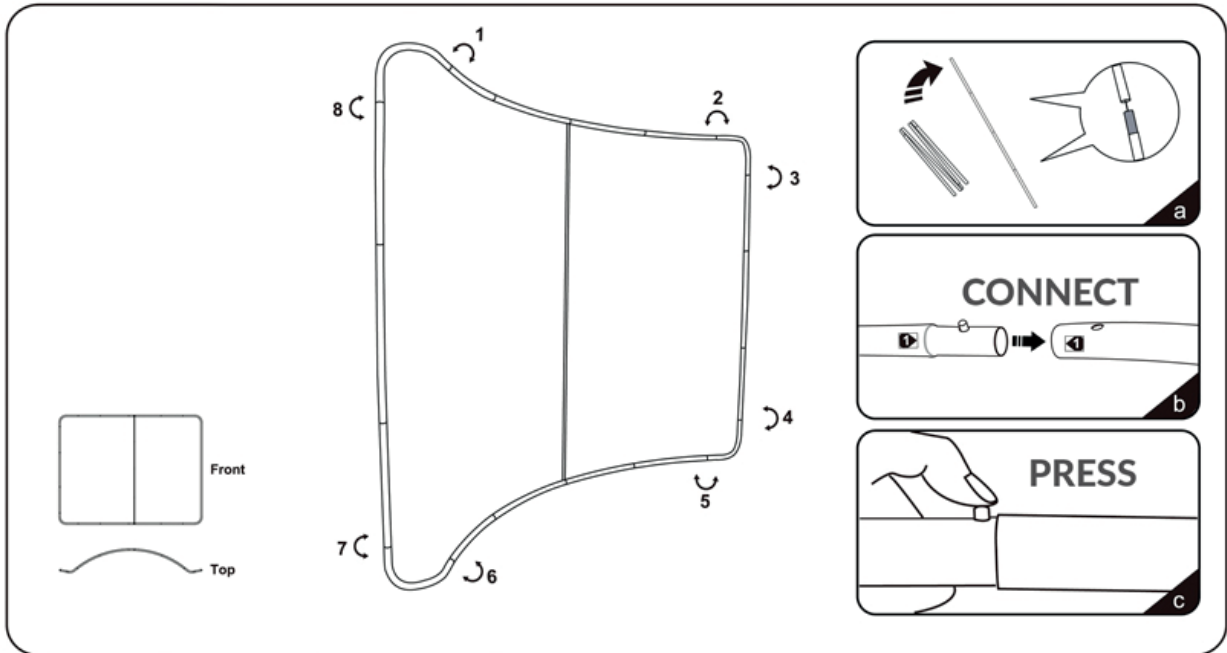


# INSTALLATION STEPS

The kit includes folding construction, prints and a transport case.



CAUTION! PLEASE READ THE INSTRUCTIONS BEFORE INSTALLING PRODUCT